

# F3

## INSTALLATION INSTRUCTIONS

Centor Europe  
+44 (0)121 701 2500  
mail@centor.eu  
www.centor.eu

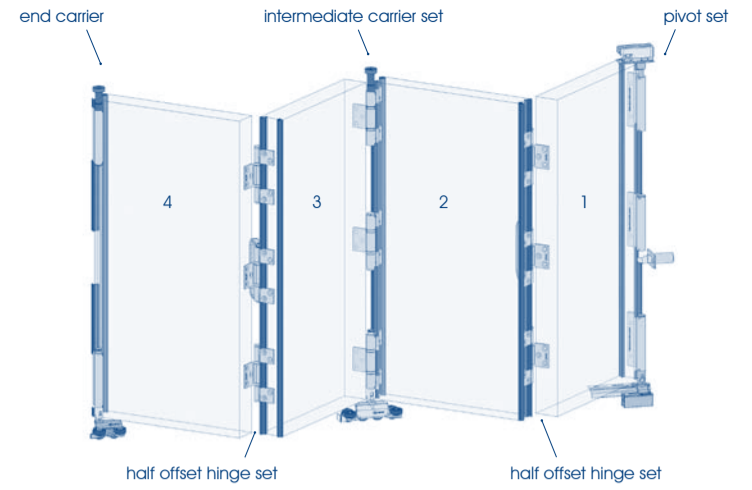
Centor North America  
toll free 866-255-0008  
mail@centorarchitectural.com  
www.centorarchitectural.com

Centor Asia Pacific  
1300 CENTOR  
mail@centor.com.au  
www.centor.com.au



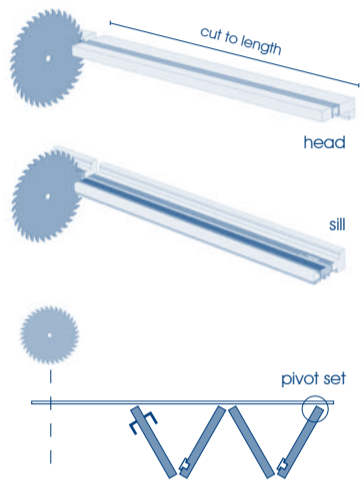
centor ARCHITECTURAL

### HARDWARE SET LOCATIONS



4R configuration shown for illustration purposes. See over for other configurations

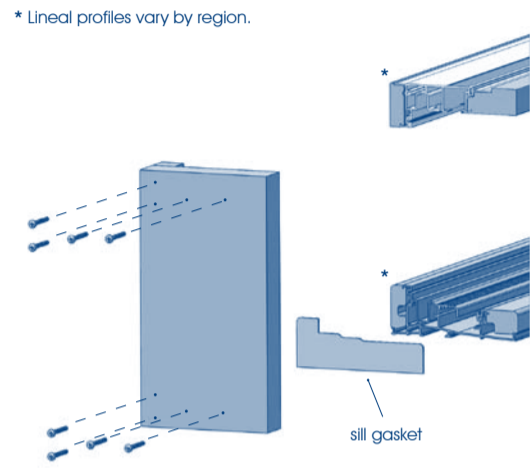
### 1. CUT LINEALS TO LENGTH



**F3 DoorCalc**  
Visit the Centor website to download the F3 DoorCalc

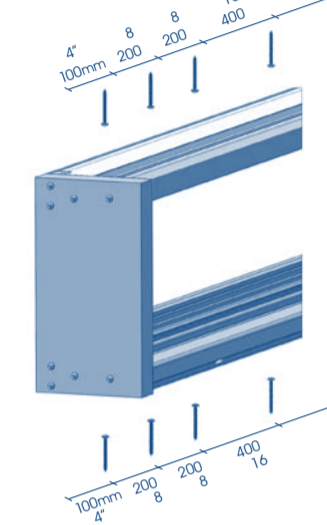
Cut end opposite pivot set for one way stacking doors  
Cut either end (but only one end) for two way stacking doors

### 2. ATTACH JAMBS TO HEAD AND SILL



\* Lineal profiles vary by region.

### 3. FIX HEAD & SILL TO OPENING



Fix through guide and carrier channels making sure not to obstruct hardware.

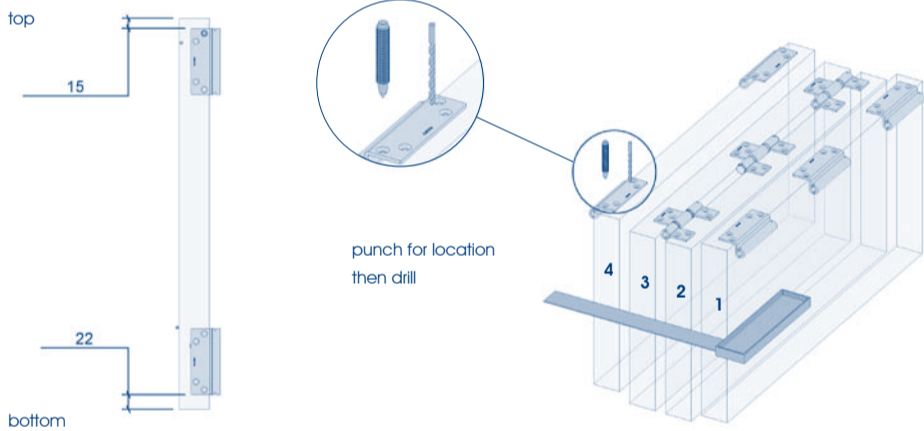


Head and sill to align vertically.

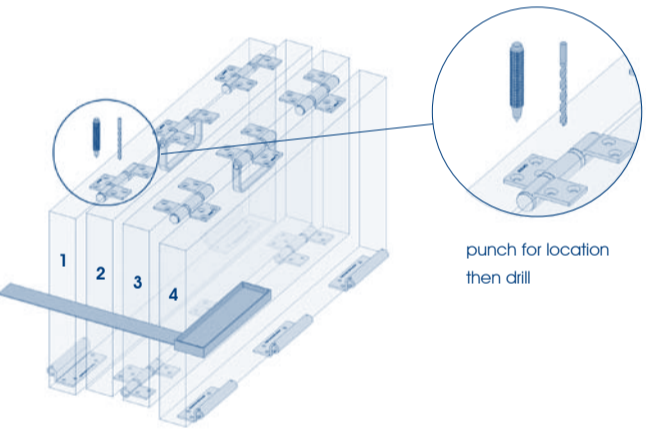
### 4. PRE-DRILL PANELS

Drill jig available

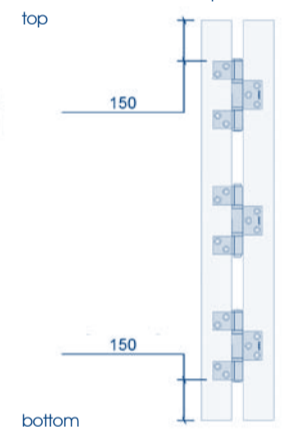
Pivots, Intermediate Carriers & End Carriers



Hinges & Half Offset Hinges

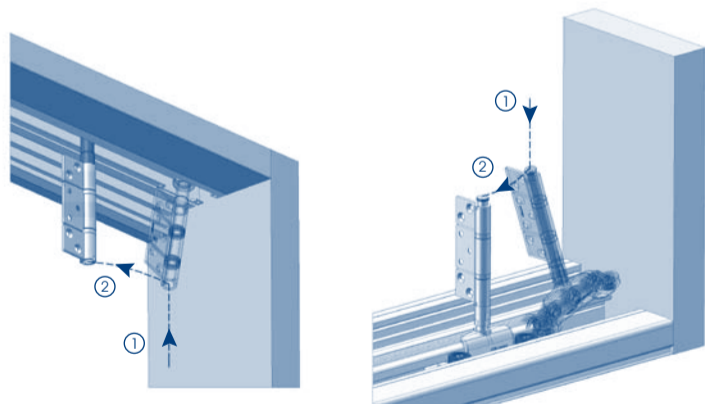


minimum dimensions for use with Twinpoint Bolt

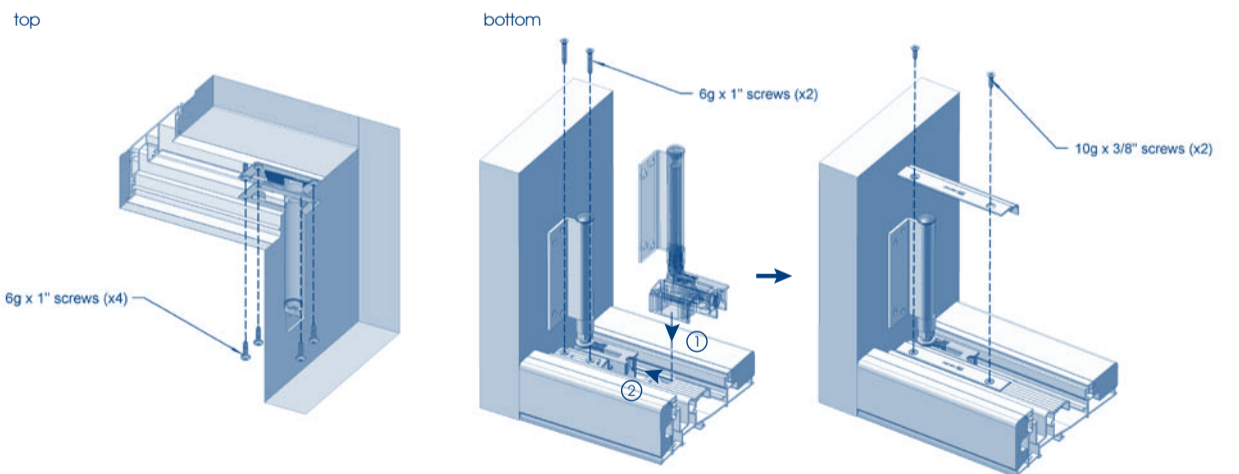


### 5. INSERT HARDWARE INTO TRACK

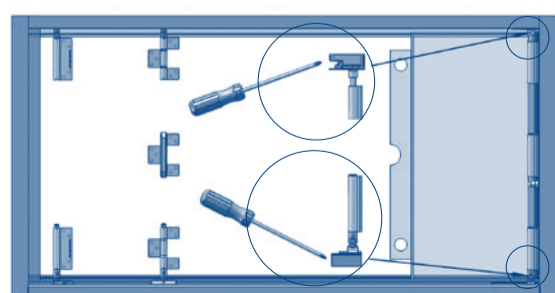
Insert hardware into head and sill in correct order.



### 6. FIX PIVOTS

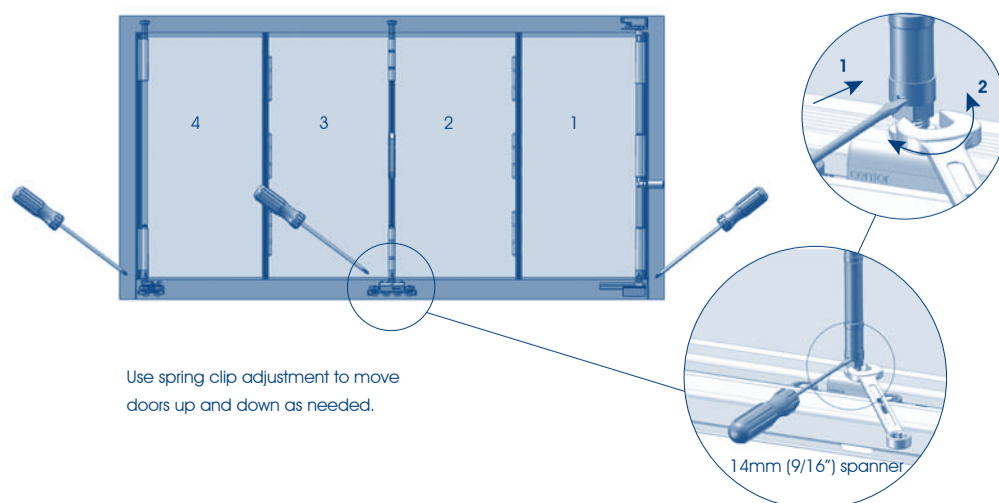


### 7. ADJUST PIVOTS



Ensure pivot panel is vertical (plumb) using adjustment screws in top and bottom pivot blocks. Attach each following panel one by one.

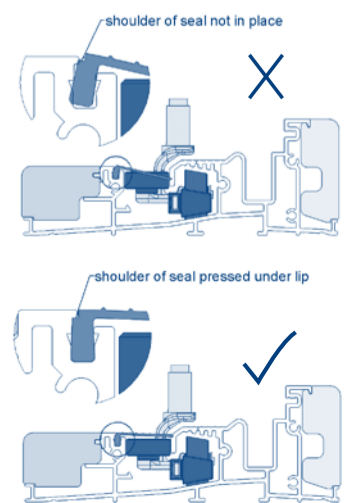
### 8. HEIGHT ADJUSTMENT



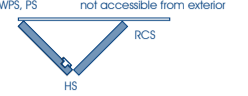
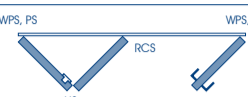
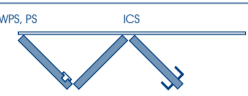
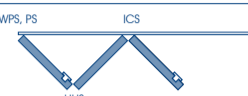
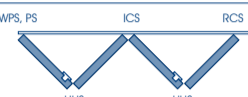
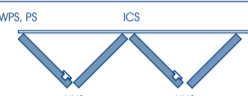
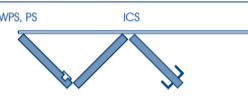
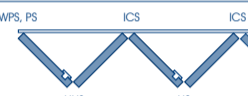
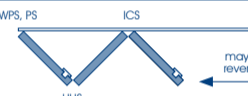
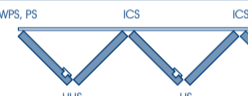
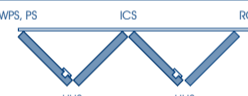
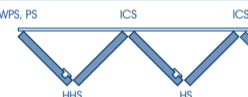
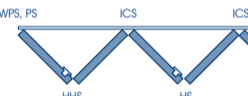
Use spring clip adjustment to move doors up and down as needed.

### 9. INSERT TRACK SEAL

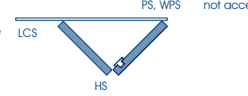
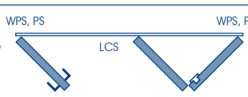
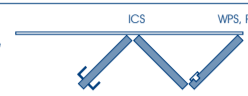

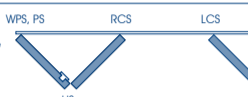

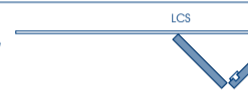
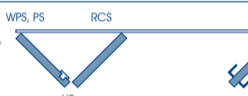
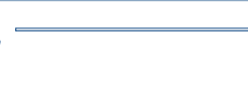
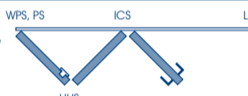

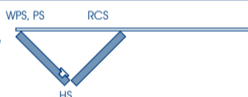
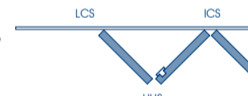
Ensure seal is fully pressed in



# DOOR PANEL / HARDWARE CONFIGURATIONS

CODE	OPENING CONFIGURATION	HARDWARE
2L	<p>inside WPS, PS not accessible from exterior</p> <p>outside </p>	<ul style="list-style-type: none"> <li>1 x pivot set</li> <li>1 x wall pivot set*</li> <li>1 x right carrier set</li> <li>1 x hinge set</li> <li>2 x dropbolt</li> </ul>
2L1R	<p>inside WPS, PS WPS, PS</p> <p>outside </p>	<ul style="list-style-type: none"> <li>2 x pivot set</li> <li>2 x wall pivot set*</li> <li>1 x right carrier set</li> <li>1 x hinge set</li> <li>2 x dropbolt</li> </ul>
3L	<p>inside WPS, PS ICS</p> <p>outside </p>	<ul style="list-style-type: none"> <li>1 x pivot set</li> <li>1 x wall pivot set*</li> <li>1 x intermediate carrier set</li> <li>1 x half offset hinge set</li> <li>2 x dropbolt</li> </ul>
3L1R	<p>inside WPS, PS ICS WPS, PS</p> <p>outside </p>	<ul style="list-style-type: none"> <li>2 x pivot set</li> <li>2 x wall pivot set*</li> <li>1 x intermediate carrier set</li> <li>1 x half offset hinge set</li> <li>4 x dropbolt</li> </ul>
4L	<p>inside WPS, PS ICS RCS not accessible from exterior</p> <p>outside </p>	<ul style="list-style-type: none"> <li>1 x pivot set</li> <li>1 x wall pivot set*</li> <li>1 x intermediate carrier set</li> <li>1 x right carrier set</li> <li>2 x half offset hinge set</li> <li>4 x dropbolt</li> </ul>
4L1R	<p>inside WPS, PS ICS WPS, PS</p> <p>outside </p>	<ul style="list-style-type: none"> <li>2 x pivot set</li> <li>2 x wall pivot set*</li> <li>1 x intermediate carrier set</li> <li>1 x right carrier set</li> <li>2 x half offset hinge set</li> <li>4 x dropbolt</li> </ul>
3L2R	<p>inside WPS, PS ICS WPS, PS</p> <p>outside </p>	<ul style="list-style-type: none"> <li>2 x pivot set</li> <li>2 x wall pivot set*</li> <li>1 x intermediate carrier set</li> <li>1 x left carrier set</li> <li>1 x hinge set</li> <li>1 x half offset hinge set</li> <li>4 x dropbolt</li> </ul>
5L	<p>inside WPS, PS ICS ICS</p> <p>outside </p>	<ul style="list-style-type: none"> <li>1 x pivot set</li> <li>1 x wall pivot set*</li> <li>2 x intermediate carrier set</li> <li>1 x hinge set</li> <li>1 x half offset hinge set</li> <li>4 x dropbolt</li> </ul>
3L3R	<p>inside WPS, PS ICS ICS WPS, PS</p> <p>outside </p>	<ul style="list-style-type: none"> <li>2 x pivot set</li> <li>2 x wall pivot set*</li> <li>2 x intermediate carrier set</li> <li>2 x half offset hinge set</li> <li>6 x dropbolt</li> </ul>
7L	<p>inside WPS, PS ICS ICS ICS</p> <p>outside </p>	<ul style="list-style-type: none"> <li>1 x pivot set</li> <li>1 x wall pivot set*</li> <li>3 x intermediate carrier set</li> <li>2 x hinge set</li> <li>1 x half offset hinge set</li> <li>6 x dropbolt</li> </ul>
4L3R	<p>inside WPS, PS ICS RCS ICS WPS, PS</p> <p>outside </p>	<ul style="list-style-type: none"> <li>2 x pivot set</li> <li>2 x wall pivot set*</li> <li>2 x intermediate carrier set</li> <li>1 x right carrier set</li> <li>3 x half offset hinge set</li> <li>6 x dropbolt</li> </ul>
5L2R	<p>inside WPS, PS ICS ICS RCS WPS, PS</p> <p>outside </p>	<ul style="list-style-type: none"> <li>2 x pivot set</li> <li>2 x wall pivot set*</li> <li>2 x intermediate carrier set</li> <li>1 x left carrier set</li> <li>2 x hinge set</li> <li>1 x half offset hinge set</li> <li>6 x dropbolt</li> </ul>
5L3R	<p>inside WPS, PS ICS ICS ICS WPS, PS</p> <p>outside </p>	<ul style="list-style-type: none"> <li>2 x pivot set</li> <li>2 x wall pivot set*</li> <li>3 x intermediate carrier set</li> <li>1 x hinge set</li> <li>2 x half offset hinge set</li> <li>8 x dropbolt</li> </ul>

\* Wall Pivot Sets required for doors over 2250mm

CODE	OPENING CONFIGURATION	HARDWARE
2R	<p>inside PS, WPS not accessible from exterior</p> <p>outside </p>	<ul style="list-style-type: none"> <li>1 x pivot set</li> <li>1 x wall pivot set*</li> <li>1 x left carrier set</li> <li>1 x hinge set</li> <li>2 x dropbolt</li> </ul>
1L2R	<p>inside WPS, PS WPS, PS</p> <p>outside </p>	<ul style="list-style-type: none"> <li>2 x pivot set</li> <li>2 x wall pivot set*</li> <li>1 x left carrier set</li> <li>1 x hinge set</li> <li>2 x dropbolt</li> </ul>
3R	<p>inside ICS WPS, PS</p> <p>outside </p>	<ul style="list-style-type: none"> <li>1 x pivot set</li> <li>1 x wall pivot set*</li> <li>1 x intermediate carrier set</li> <li>1 x half offset hinge set</li> <li>2 x dropbolt</li> </ul>
1L3R	<p>inside WPS, PS ICS WPS, PS</p> <p>outside </p>	<ul style="list-style-type: none"> <li>2 x pivot set</li> <li>2 x wall pivot set*</li> <li>1 x intermediate carrier set</li> <li>1 x half offset hinge set</li> <li>4 x dropbolt</li> </ul>
2L2R	<p>inside WPS, PS RCS LCS WPS, PS not accessible from exterior</p> <p>outside </p>	<ul style="list-style-type: none"> <li>2 x pivot set</li> <li>2 x wall pivot set*</li> <li>1 x right carrier set</li> <li>1 x left carrier set</li> <li>2 x hinge set</li> <li>4 x dropbolt</li> </ul>
1L4R	<p>inside WPS, PS LCS ICS WPS, PS</p> <p>outside </p>	<ul style="list-style-type: none"> <li>2 x pivot set</li> <li>2 x wall pivot set*</li> <li>1 x intermediate carrier set</li> <li>1 x left carrier set</li> <li>2 x half offset hinge set</li> <li>4 x dropbolt</li> </ul>
4R	<p>inside LCS ICS WPS, PS</p> <p>outside </p>	<ul style="list-style-type: none"> <li>1 x pivot set</li> <li>1 x wall pivot set*</li> <li>1 x intermediate carrier set</li> <li>1 x left carrier set</li> <li>2 x half offset hinge set</li> <li>4 x dropbolt</li> </ul>
2L3R	<p>inside WPS, PS RCS ICS WPS, PS</p> <p>outside </p>	<ul style="list-style-type: none"> <li>2 x pivot set</li> <li>2 x wall pivot set*</li> <li>1 x intermediate carrier set</li> <li>1 x right carrier set</li> <li>1 x hinge set</li> <li>1 x half offset hinge set</li> <li>4 x dropbolt</li> </ul>
5R	<p>inside ICS ICS WPS, PS</p> <p>outside </p>	<ul style="list-style-type: none"> <li>1 x pivot set</li> <li>1 x wall pivot set*</li> <li>2 x intermediate carrier set</li> <li>1 x hinge set</li> <li>1 x half offset hinge set</li> <li>4 x dropbolt</li> </ul>
3L4R	<p>inside WPS, PS ICS LCS ICS WPS, PS</p> <p>outside </p>	<ul style="list-style-type: none"> <li>2 x pivot set</li> <li>2 x wall pivot set*</li> <li>2 x intermediate carrier set</li> <li>1 x left carrier set</li> <li>3 x half offset hinge set</li> <li>6 x dropbolt</li> </ul>
7R	<p>inside ICS ICS ICS WPS, PS</p> <p>outside </p>	<ul style="list-style-type: none"> <li>1 x pivot set</li> <li>1 x wall pivot set*</li> <li>3 x intermediate carrier set</li> <li>2 x hinge set</li> <li>1 x half offset hinge set</li> <li>6 x dropbolt</li> </ul>
2L5R	<p>inside WPS, PS RCS ICS ICS WPS, PS</p> <p>outside </p>	<ul style="list-style-type: none"> <li>2 x pivot set</li> <li>2 x wall pivot set*</li> <li>2 x intermediate carrier set</li> <li>1 x right carrier set</li> <li>2 x hinge set</li> <li>1 x half offset hinge set</li> <li>6 x dropbolt</li> </ul>
8R	<p>inside LCS ICS ICS ICS WPS, PS not accessible from exterior</p> <p>outside </p>	<ul style="list-style-type: none"> <li>1 x pivot set</li> <li>1 x wall pivot set*</li> <li>3 x intermediate carrier set</li> <li>1 x left carrier set</li> <li>2 x hinge set</li> <li>2 x half offset hinge set</li> <li>8 x dropbolt</li> </ul>

\* Wall Pivot Sets required for doors over 2250mm